



Hygienepus+
Anti-Bacteria Range

ASSA ABLOY

Experience a safer
and more open world

Scientific evidence



80% of all infectious diseases (HAIs - Healthcare - associated infections) are transmitted through physical contact.

Every year, in the US and Europe alone, almost 6,000,000 people are treated for infections acquired in healthcare centres.

Up to 12% of patients who go to hospitals in developed countries acquire some type of infection.

In addition to causing death, infectious diseases (HAIs) can extend a patient's stay in hospital by up to five times.

HAIs (Healthcare associated infections) are infections people get while they are receiving health care for another condition. HAIs can happen in any health care facility, including hospitals, ambulatory surgical centers, end-stage renal disease facilities, and long-term care facilities. 80% of all infectious diseases are transmitted through physical contact.

A threat in hospital environments that has a solution



The microorganisms around us pose a threat in hospitals and in healthcare environments for children, the elderly, etc. They are responsible for more than 4,000,000 nosocomial infections in Europe, an alarming figure that needs to be reduced for the sake of public health.

ASSA ABLOY offers a wide range of lever handles and pull handles specially designed for these environment. These application or better known as Hygieneplus+ suitable for wide range of facilities. They are ideal to use at :

- Private Hospital
- Specialist Centres
- Wellness Assessment Centres
- Care Centres
- Semi-Government Hospital
- Nursing Homes
- Commercial Health Centres
- Health Screening Centres
- Clinics
- General Hospital
- Government Hospital
- Retirement Homes

ASSA ABLOY Hygieneplus+ handles contain powerful bactericide that proves to be effective against 2 most dangerous micro-bacteria, Staphylococcus Aureus and Escherichia Coli.

Benefit of ASSA ABLOY Hygienepus+



Lasting protection against microbes

ASSA ABLOY Hygienepus+ with antibacteria agents have been scientifically proven to provide adequate and long-lasting protection against bacteria. Thus, minimizes terrible odors, staining and degradation of material on surfaces where they are applied to. With ASSA ABLOY Hygienepus+ coating on the surface, bacteria will not get a chance to grow and survive.

Longer Lifespan

ASSA ABLOY Hygienepus+ coatings also further reduces potential discoloration, leech or any effect the appearance of the surface. The coating itself usually lasts longer than expected and further eliminate stench and lumps that are normally found on other products.

Cost-Effective

The maintenance costs associated with replacement and cleaning of unsanitary items could be significantly reduced with the ASSA ABLOY Hygienepus+ products by ensuring adequate and long lasting protection.

Improved Cleanliness and Health

Scientific data has proven that there is a continuous trend of germs and bacteria spreading in densely populated areas. Hospital offices and nurse stations are active spots for germs as these places are characterized with substantial human interactions every day. The ASSA ABLOY Hygienepus+ coating allow for increase sanitation cleanliness on a considerable scale by reducing the presence of germs and bacteria in the air as well as high-volume touch points such as railings, light switches and door levers.

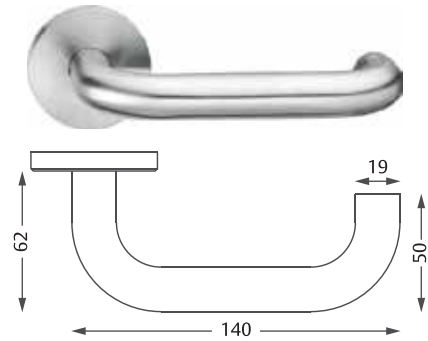
Lever Handle

Model no.: AALP-010

Description: Lever Handle with Hygieneplus+ Coating

Dimensions: Length : 140mm
Spindle : 8mm x 8mm Straight Standard Spindle
Rose : Round rose Ø53mm x 8mm

Finish: Satin Stainless Steel with Hygieneplus+ coating

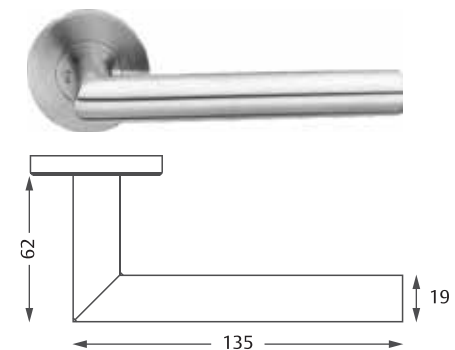


Model no.: AALP-020

Description: Lever Handle with Hygieneplus+ Coating

Dimensions: Length : 135mm
Spindle : 8mm x 8mm Straight Standard Spindle
Rose : Round rose Ø53mm x 8mm

Finish: Satin Stainless Steel with Hygieneplus+ coating

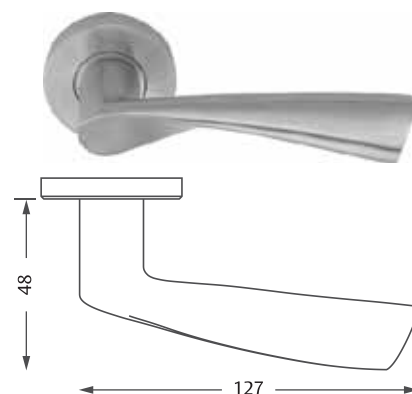


Model no.: AALP-030

Description: Lever Handle with Hygieneplus+ Coating

Dimensions: Length : 135mm
Spindle : 8mm x 8mm Straight Standard Spindle
Rose : Round rose Ø53mm x 8mm

Finish: Satin Stainless Steel with Hygieneplus+ coating



The ASSA ABLOY Group is the global leader in access solutions. Every day, we help billions of people experience a more open world.

ASSA ABLOY Opening Solutions leads the development within door openings and products for access solutions in homes, businesses and institutions. Our offering includes doors, door and window hardware, mechanical and smart locks, access control and service.

ASSA ABLOY
Opening Solutions

**ASSA ABLOY Opening Solutions
Malaysia Sdn Bhd**
Level 1, East Wing, Wisma Consplant 1
No 2, Jalan SS16/4
47500 Subang Jaya
Selangor, Malaysia
Tel: +60 3 5651 7800
Fax: +60 3 5613 3889
assaabloyopeningsolutions.com.my
info@assaabloy.com.my

PT ASSA ABLOY Indonesia
Unit 316, 3rd Floor, Marga Guna Grand
Jl Marga Guna Raya
No 9, Pondok Indah
Jakarta, 12420 Indonesia
Tel: +62 21 720 6884
Fax: +62 21 720 6874
assaabloyopeningsolutions.id
info.id@assaabloy.com

ASSA ABLOY Philippines
Unit 3309
Robinsons Equitable Tower
#4 ADB Avenue
cor P. Poveda Street
Ortigas Center, Pasig City
1600 Manila, Philippines
Tel: +63 2 656 4376
info.ph@assaabloy.com

ASSA ABLOY Singapore Pte Ltd
#08-08 Siemens Center Blk 1
60 MacPherson Road
348615 Singapore
Tel: +65 6880 0000
Fax: +65 6880 0500
assaabloyopeningsolutions.com.sg
sales@assaabloy.com.sg

ASSA ABLOY Vietnam
20th floor, 2 Bis - 4 - 6,
Le Thanh Ton St
Ben Nghe Ward, Dist 1,
Ho Chi Minh City
Tel: +84 28 2249 8833
assaabloyopeningsolutions.com.vn
info.vn@assaabloy.com

ASSA ABLOY (Thailand) Ltd
1919, 5th Floor
Preecha Group Building
Pattanakarn Road, Suanluang
Bangkok, 10250 Thailand
Tel: +66 2 722 7371
Fax: +66 2 722 7375
assaabloy.co.th
info.th.opening@assaabloy.com

ASSA ABLOY Hong Kong Ltd
Suite 1901, 19/F, Tower 3
China Hong Kong City
33 Canton Road, Tsim Sha Tsui,
Kowloon, Hong Kong
Tel: +852 2260 0888
Fax: +852 2686 8682
assaabloyopeningsolutions.com.hk
sales.hk@assaabloy.com

ASSA ABLOY Taiwan
2F, No 217 Section 3, Chengde Road
Datong District, Taipei City 103
Taiwan (R.O.C)
Tel: +886 2 2586 0161
Fax: +886 2 2586 0171
sales.tw@assaabloy.com

Legal Disclaimer:

While every effort has been made to ensure that the information contained in this brochure is accurate at the time of its publication, yet ASSA ABLOY reserves its right to make changes in its products without prior notice. ASSA ABLOY will not be liable for any loss, injury or damage arising out of use of its products. The brochure does not constitute offer for sale of its products. ASSA ABLOY advises the use of its products for installation only by trained technicians.