

Checkmate® Stops & Holders

Absolute Door Control and
Entire Opening Protection

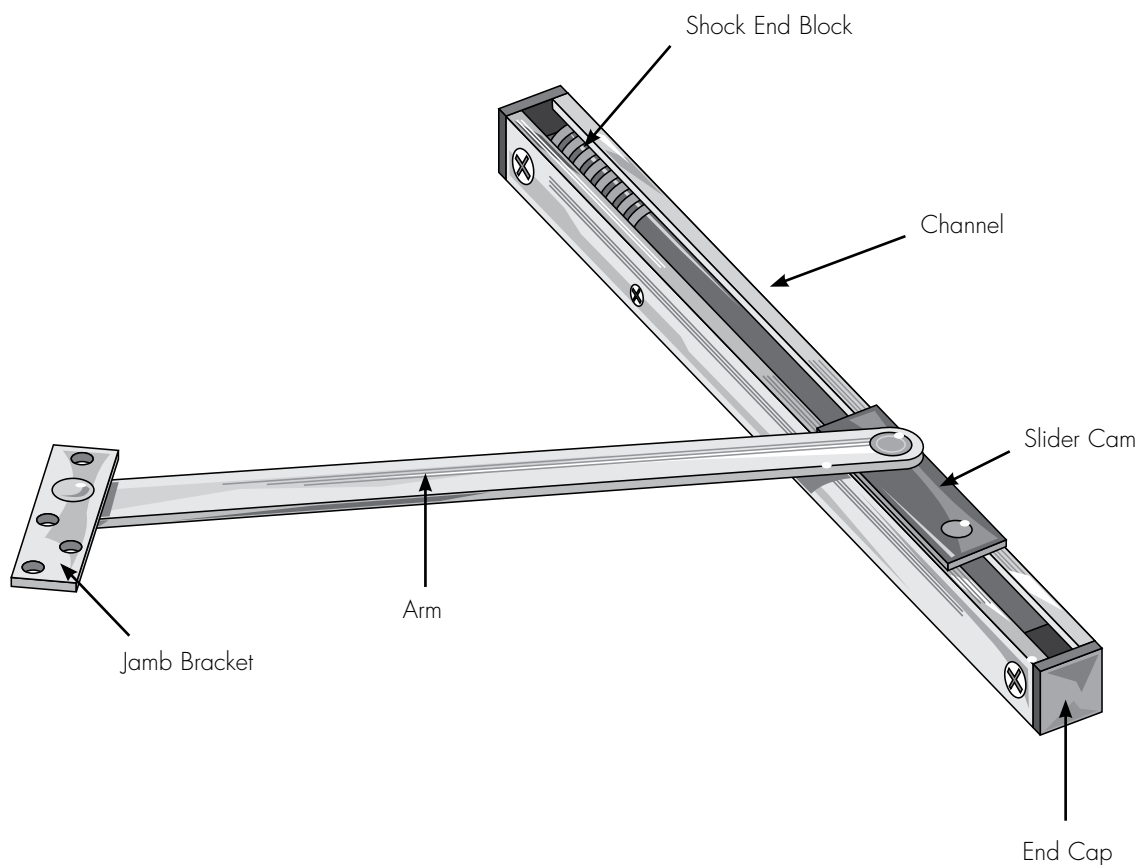


RIXSON
ASSA ABLOY

ASSA ABLOY, the global leader
in door opening solutions

Checkmate® overhead stops and holders are used to extend the life of the door, frame and any door closing devices. They may be necessary if there are strong winds, high traffic or abuse.

- When used in conjunction with a floor closer, you have absolute door control, top and bottom
- Provides positive deadstop at selected degree
- There are three functions, four ways to order
 - Friction Stay – used on doors without closers to keep doors open
 - Hold Open – door remains held open near deadstop location
 - Stops – door deadstops at a particular degree of opening
 - Multi Function – adaptable as hold open and/or stops
- Available as surface mounted or concealed
- Standard mount on push side of door (see model descriptions for pull side installations)
- Thru bolts are furnished with all surface models and must be used for installation.



Less Spring – Suffix LS

Heavy-duty slide track type stops have a spring in the end of the channel that keeps the slider from deadstopping. If these units are being used with electromechanical closer, where the door, must deadstop, the LS option is needed. Available only with models 1 and 9.

Angle Jamb Bracket Adapter

Standard-duty models suffix 5258 (non-handed)

Heavy-duty models suffix 5458 (LH) or 5459 (RH)

When surface mounted units are mounted on a rabbeted door on the push side, flush door and transom on the push side, or in a reverse installation on the pull side of the door, a special bracket is needed.

Note: not all models can be mounted on the pull side of the door (see specific model numbers in catalog.)



5258



5458/5459

Security Screws – Suffix Torx®

Security screws can be supplied for exposed fasteners.

CERTIFICATIONS



All Rixson Checkmate® overhead stops and holders are in compliance with ANSI/BHMA A156.8, Grade 1 and 2 Standards. See individual products for sub sections. See individual models for UL Listing.

LIMITED WARRANTY

Rixson Checkmate® stops and holders are warranted for 2 years for defect. See Rixson price book for specific details of the limited warranty.

SPECIFICATIONS

All overhead stops and holders shall be from a single manufacturer.

Standard-duty models used for interior or low to moderate traffic doors.

Heavy-duty models used for exterior or high traffic doors or doors subject to abuse.

For extremely abusive areas or high winds use double lever arm type.

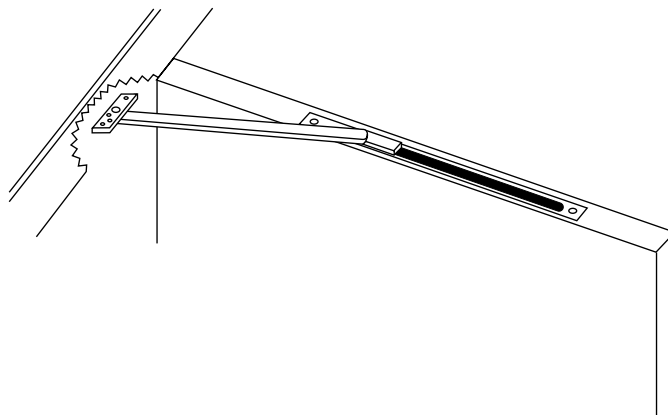
Coordinate deadstop and/or hold open location with concealed floor closers.

Checkmate products provide hold open and/or deadstop.

1ADJ SERIES

Product Description & Features

- Adjustable, heavy-duty
- Interior or exterior doors
- Doors may be single or double acting
- Non-handed
- Slide track design
- Recommended for high traffic, heavy abuse situations
- Heavy shock absorber spring provides 5-7° compression before dead stop
- Order specifically as a stop or hold open
- Degree of opening is fully adjustable and can be adapted to changing needs
- Complete screw packet kit for installation in wood or metal door and frame
- For security areas, Torx® screws available for exposed fasteners
- Standard architectural finishes
- Durable slider cam and shock block
- 110° maximum opening (except 1ADJ for center hung 30-36" door which is 105°)
- 1-3/4" minimum door thickness, for thicker doors consult factory
- 1-3/16" square channel
- Stop function UL listed for fire door assemblies
- Hanging means other than standard butts or offset pivots require special templating and pricing. Consult factory



Door Opening Chart (in inches)

Butts Offset Pivots	Center Hung Pivots	Model Number	
		H.O.	Stop
*24 - 28	—	1ADJ-126	1ADJ-136
28-1/16 - 33	30 - 36	1ADJ-226	1ADJ-236
33-1/16 - 38	36-1/16 - 41	1ADJ-326	1ADJ-336
38-1/16 - 43	41-1/16 - 46	1ADJ-426	1ADJ-436
43-1/16 - 48	46-1/16 - 50	1ADJ-526	1ADJ-536

*Butt hung only on this size door. No swing clear hinges.

ANSI No.		
Shipping Weight 4.5 lbs.	H.O.	Stop
	C01511	C01541

6ADJ SERIES

Product Description & Features

- Adjustable low profile
- Interior or exterior doors
- Doors may be single or double acting
- Non-handed
- Recommended for moderate traffic, medium weight doors
- Low profile concealed channel design for installation in aluminum doors
- Heavy shock absorber spring provides 5-7° compression before dead stop
- Degree of opening is fully adjustable and can be adapted to changing needs
- Complete screw packet for installation in wood or metal door and frame
- For security areas, Torx® screws available for exposed fasteners
- Standard architectural finishes
- Durable slider cam and shock block
- 110° maximum opening (except 6ADJ for center hung 30-36" door which is 105°)
- 1-3/4" minimum door thickness, for thicker doors consult factory
- Channel is 1-1/4" wide x 1/2" deep
- UL listed for fire door assemblies
- Hanging means other than standard butts or offset pivots require special templating and pricing. Consult factory.
- Available in stop function only

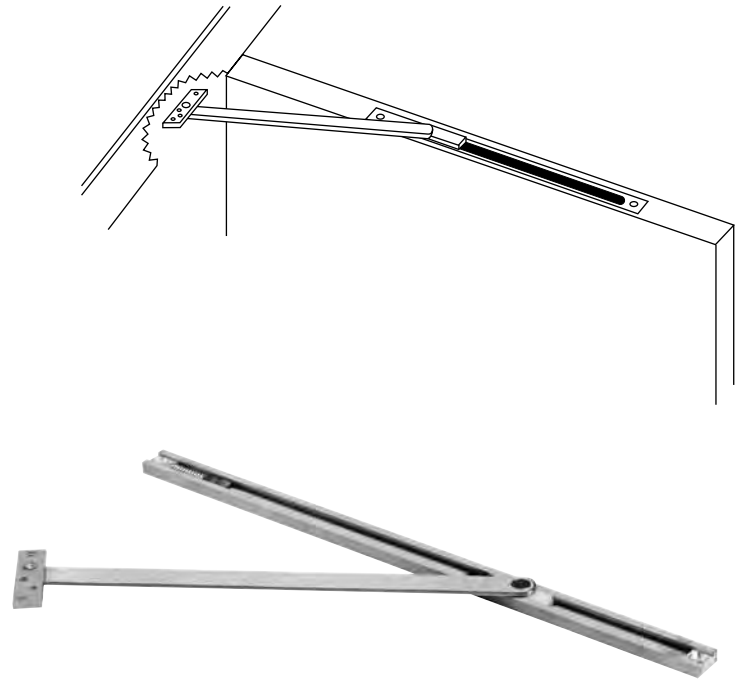
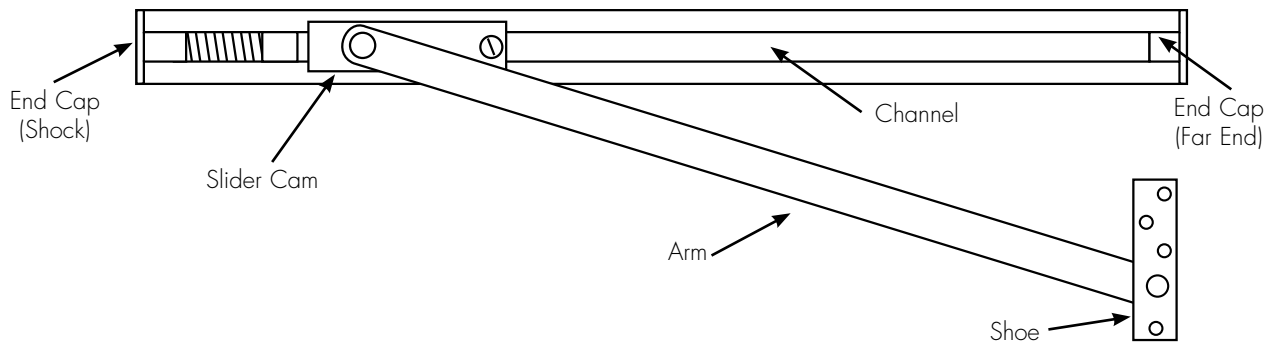


Chart (in inches)

Butts Offset Pivots	Center Hung Pivots	Model Number
		Stop
*24 - 28	—	6ADJ-136
28-1/16 - 33	30 - 36	6ADJ-236
33-1/16 - 38	36-1/16 - 41	6ADJ-336
38-1/16 - 43	41-1/16 - 46	6ADJ-436
43-1/16 - 48	46-1/16 - 50	6ADJ-536

ANSI No.	
Shipping Weight 4.5 lbs.	Stop
	C01541

***Butt hung only on this size door. No swing clear hinges.**



End Caps #1, 2, 9 & 10 only		
#1 & #9	Shock End Block	6003
	Far End Block	6004
#2 & #5	Far End Block	5059 (2 req.)
#10	Far End Block	5011 (2 req.)
Screw Kits		
#1	Stop	6487-*
	Hold Open	6998N*
#1ADJ	Stop and Holder	6487-*
#2	Friction or Stop	5999-*
#6	Stop	6487-*
#7	Friction or Stop	3880-XXXXA
#8	Friction or Stop	5897-*
#9	Friction or Stop	6468-*
	Hold Open	6997N*
#9ADJ	Stop and Holder	6468-*
#10 & #55	Friction or Stop	5998-*

Arm Assemblies (includes arm, shoe and slider cam)
List as noted in charts below.

eg. 1-236 in 630 would be 1-236R in 630
55-426 in 652 would be 55-426R in 652

Components for arm assemblies may not be ordered separately

1	Dash	Size	Function	R	Finish
1ADJ	Dash	Size	Function	R	Finish
2	Dash	Size	Function	R	Finish
5	Dash	Size	Function	R	Finish
6	Dash	Size	Function	R	Finish
6ADJ	Dash	Size	Function	R	Finish
9	Dash	Size	Function	R	Finish
9ADJ	Dash	Size	Function	R	Finish
10	Dash	Size	Function	R	Finish
55	Dash	Size	Function	R	Finish

Adapter Kits

2	Hold Open, Friction Adapter	5012-PKG
10	Hold Open, Friction Adapter	5012-PKG

*specify finish